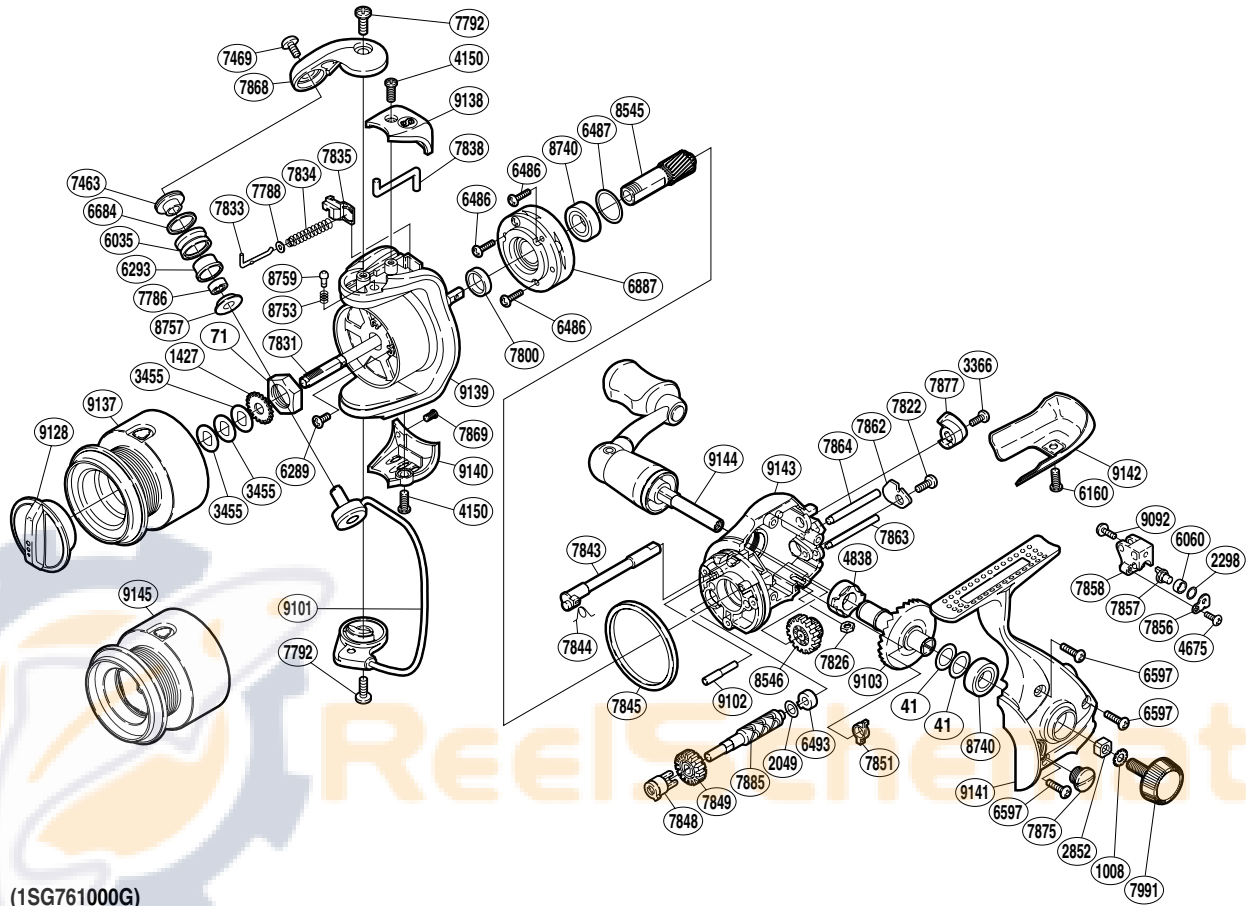


SHIMANO®

TECHNIUM

TEC-1000FA



(1SG761000G)

Part No.	Description	Part No.	Description	Part No.	Description
RD 0041	Drive Gear Washer	RD 7786	Ball Bearing	RD 7875	Oil Cap
RD 0071	Rotor Nut	RD 7788	Spring Guide (A) Support	RD 7877	Anti-Reverse Lever
RD 1008	Handle Lock Washer	RD 7792	Multi-Purpose Screw	RD 7885	Worm Shaft
RD 1427	Spool Support	RD 7800	Rotor Ring	RD 7991	Handle Screw Cap
RD 2049	Worm Shaft Spacer	RD 7822	Worm Shaft Retainer Screw	RD 8545	Pinion Gear
RD 2298	Spacer	RD 7826	Rear Protector Nut	RD 8546	Idle Gear (B)
RD 2852	Handle Screw Lock	RD 7831	Main Shaft	RD 8740	Ball Bearing
RD 3366	Anti-Reverse Lever Screw	RD 7833	Bail Spring Guide (A)	RD 8753	Click Spring
RD 3455	Spool Washer	RD 7834	Bail Spring	RD 8757	Bearing Spacer
RD 4150	Protector Screw (A)	RD 7835	Bail Spring Seat	RD 8759	Click Pin
RD 4675	Oscillating Pawl Cover Screw	RD 7838	Bail Trip Lever	RD 9092	Slider Retainer Screw
RD 4838	Drive Gear Bushing	RD 7843	Anti-Reverse Cam	RD 9101	Bail Assembly
RD 6035	Line Roller	RD 7844	Anti-Reverse Cam Spring	RD 9102	Idle Gear (B) Shaft
RD 6060	Oscillating Slider Bushing	RD 7845	Friction Ring	RD 9103	Drive Gear
RD 6160	Rear Protector Screw	RD 7848	Worm Bushing (front)	RD 9128	Drag Knob
RD 6289	Nut Lock Screw	RD 7849	Idle Gear	RD 9137	Spool Assembly
RD 6293	Line Roller Bushing	RD 7851	Bushing	RD 9138	Bail Spring Cover
RD 6486	Roller Clutch Screw	RD 7856	Oscillating Pawl Cover	RD 9139	Rotor
RD 6487	Adjusting Washer	RD 7857	Oscillating Pawl	RD 9140	Bail Hold Support Guard
RD 6493	Worm Bushing (rear)	RD 7858	Oscillating Slider	RD 9141	Side Cover
RD 6597	Side Cover Screw	RD 7862	Worm Shaft Retainer	RD 9142	Rear Protector
RD 6684	Line Roller Spacer	RD 7863	Oscillating Guide (A)	RD 9143	Body
RD 6887	Roller Clutch Assembly	RD 7864	Oscillating Guide (B)	RD 9144	Handle Assembly
RD 7463	Line Roller Washer	RD 7868	Bail Arm	RD 9145	Spare Spool Assembly
RD 7469	Line Roller Screw	RD 7869	Protector Screw (B)		